

HIGH-END AUDIOPHILE SPEAKER

STEEL

MASTER STROKE - HAND CRAFTED

Italy

SS-6 SS-3 SS-1

MADE IN ITALY BY GTTRADING

MASTER STROKE SS-1

AUDIOPHILE SERIES, ULTRA HIGH END, HAND MADE IN ITALY

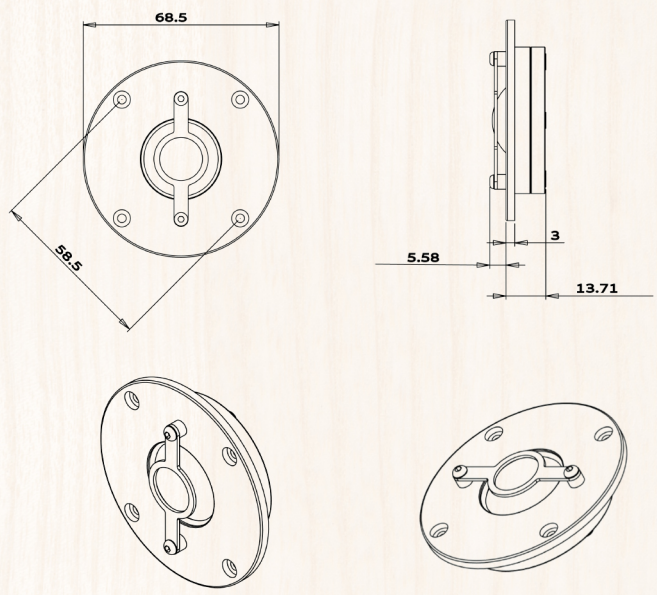


Specification

Speaker Size	2.7 inch	
Impedance	Z	4Ω
DC resistance	Re	2.9 Ω
Voice coil dimension	∅	25.45mm
Voice coil inductance	Le	0,1mH
Voice coil former/VCF	Aluminum avv. Class H Copper Basket: Solid Aluminum	
Dome material	Dm	Treated silk
Magnet system	Ms	Neodymium
Net weight	Lb	0.10kg
Transducer's suspension Qms	Qms	3,15
Transducer's suspension Qts	Qts	0,98
Motor strength	Bl	1,49
System	N/A	Rephased
Suspension cone	Sc	Silk
Resonance frequency	Fs	1150 Hz
Frequency response	Fr	1,3 - 22 kHz
Efficiency 1 W / 1 m	SPL	90 dB
Power rating/Hi-pass 1500hz	RMS Min.	30W

Dimensions

All dimensions noted in mm



Recommended Frequency Cut: high pass from 1500 Hz
The cuts and slopes refer to these data according to the applied power and the position of the speaker, so we can not set a reliable standard.

I prodotti STEG (www.gt-trading.it) sono costruiti e distribuiti da G.T. Trading di Siliato Salvatore, Via Guazzi N°5/C - Tavernelle di Serrungarina 61035 (PU), tel. +39 0721 715289, fax +39 0721 715289, Web www.gt-trading.it email : info@gt-trading.it



MASTER STROKE SS-3

AUDIOPHILE SERIES, ULTRA HIGH END, HAND MADE IN ITALY



STEG

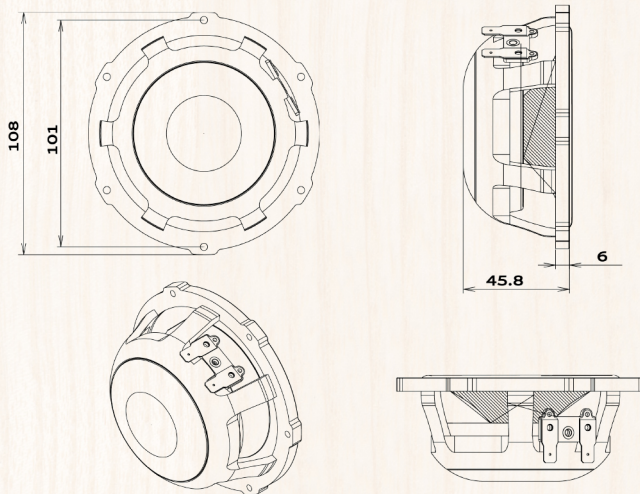
Italy

Specification

Speaker Size		4 inch
Impedance	Z	4Ω
DC resistance	Re	2.9 Ω
Voice coil dimension	∅	25.45mm
Voice coil inductance	Le	0,27 mH
Voice coil former/VCF	Aluminum avv. Class H Copper Basket: Solid Aluminum	
Membrane material	Glass fiber loaded with resin	
Magnet system	Ms	Neodymium
Net weight	Lb	0.45kg
Transducer's suspension Qms	Qms	3,67
Transducer's suspension Qts	Qts	0,89
Motor strength	Bl	2,66
Centering device	Cd	Konex
Suspension cone	Sc	50sh rubber
Resonance frequency	Fs	78 Hz
Frequency response	Fr	80 Hz - 11 kHz
Efficiency 1 W / 1 m	SPL	88 dB
Power rating/Hi-pass 1500hz	RMS max	70W

Dimensions

All dimensions noted in mm



Recommended Frequency Cut:

high pass up to 10 kHz low pass from 100Hz

The cuts and slopes refer to these data according to the applied power and the position of the speaker, so we can not set a reliable standard.

Radiation mass load	Mms	5,85g
Force exerted suspension	Cms	5,85 mN
Volume air compressed	Vas	3,2 l
Surface area cone	Sd	57 cmq
Maximum Linear Excursion	Xmax	10,5 pp mm

I prodotti STEG (www.gt-trading.it) sono costruiti e distribuiti da G.T. Trading di Siliato Salvatore, Via Guazzi N°5/C - Tavernelle di Serrungarina 61035 (PU), tel. +39 0721 715289, fax +39 0721 715289, Web www.gt-trading.it email : info@gt-trading.it

GTTrading

MASTER STROKE SS-6

AUDIOPHILE SERIES, ULTRA HIGH END, HAND MADE IN ITALY

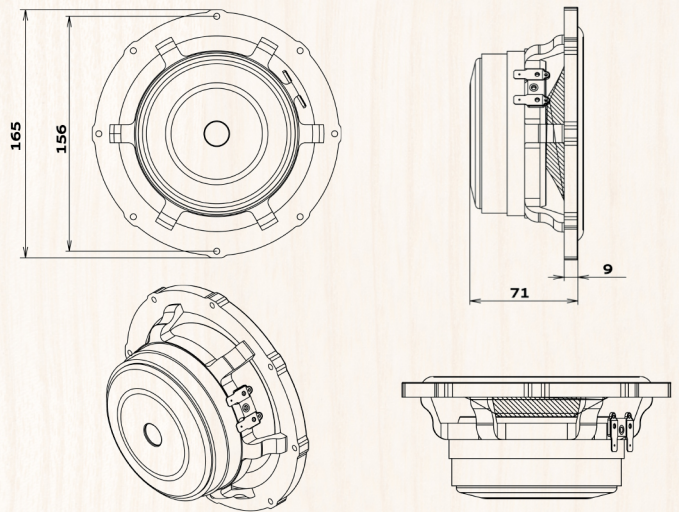


Specification

Speaker Size	6.5 inch	
Impedance	Z	4Ω
DC resistance	Re	2.9 Ω
Voice coil dimension	Ø	40mm
Voice coil inductance	Le	0,77 mH
Voice coil former/VCF	Aluminum avv. Class H Copper Basket: Solid Aluminum	
Membrane material	Glass fiber loaded with resin	
Magnet system	Ms	Ferrite
Net weight	Lb	1.7kg
Transducer's suspension Qms	Qms	3,34
Transducer's suspension Qts	Qts	0,52
Motor strength	Bl	6,84
Centering device	Cd	Konex
Suspension cone	Sc	55sh rubber
Resonance frequency	Fs	52 Hz
Frequency response	Fr	35Hz - 5,5kHz
Efficiency 1 W / 1 m	SPL	87 dB
Power rating/Hi-pass 1500hz	RMS max.	200W

Dimensions

All dimensions noted in mm



Recommended Frequency Cut: high pass up to 5.5kHz
The cuts and slopes refer to these data according to the applied power and the position of the speaker, so we can not set a reliable standard.

Radiation mass load	Mms	30.06gg
Force exerted suspension	Cms	0,31 mN
Volume air compressed	Vas	8,15 l
Surface area cone	Sd	132 cmq
Maximum Linear Excursion	Xmax	18 pp mm

I prodotti STEG (www.gt-trading.it) sono costruiti e distribuiti da G.T. Trading di Siliato Salvatore, Via Guazzi N°5/C - Tavernelle di Serrungarina 61035 (PU), tel. +39 0721 715289, fax +39 0721 715289, Web www.gt-trading.it email : info@gt-trading.it

